



**THE
INDUSTRY
LEADER**

MAGIC-FORCE™ FULL OR LOW ENERGY SWING DOOR OPERATOR

Our Most Versatile Swing Door Operator

The industry leading STANLEY Magic-Force is the operator of choice for professionals who trust its long-lasting durability and dependable product performance. The Magic-Force is our most versatile operator because it comes in a variety of mounting styles, integrates with a variety of sensors and systems and effortlessly adapts to the most diverse set of job site conditions including full or low energy and light to heavy duty usage.

FEATURES AND BENEFITS

- **Design Flexibility:** Multiple header configurations support a variety of mounting styles. Compatible with a variety of systems and activation sensors.
- **Installation Flexibility:** Right or left hand operation (non-handed). No special tools needed. Either full energy ANSI 156.10 (motion activated) or low energy ANSI 156.19 (knowing-act activated). Adjustable spring for precise closing force control.
- **Operational Flexibility:** Light to heavy duty. Powers door panels up to 48" wide and 350 lbs+* or up to 75 ft/lb torque. UL listed for fire rated doors. Electric lock integration now built in. Acts as a mechanical closer for manual operation in power outages. Features on, off and hold open switch.
- **Impressive Operation:** Smooth, controlled and built to resist wind and stack pressure conditions while operating as quiet as a refrigerator (50 decibels).
- **Maximum Safety Every Time:** Microprocessor-based controller will stop immediately at any point of the doors swing cycle when an obstacle is detected. Add-on sensors available for additional safety.

A DIVISION OF:

STANLEY®
Security

MAGIC FORCE™ FULL OR LOW ENERGY SWING DOOR OPERATOR

OPTIONAL FEATURES

- Custom finishes
- Transom
- Traffic pattern options
- Power close
- Mounting options:
 - Surface mount
 - Semi-concealed
 - Concealed
- Magic Touch™ Activation for power open when opened manually past 3°
- Complete factory engineered door system that includes center pivoted door panels
- Bottom load
- In ground
- In-swing
- Out-swing
- Right hand
- Left hand

SAFETY SENSORS

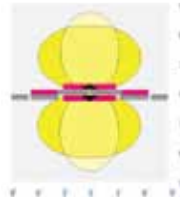
- **Low Energy:** Swing-Guard LE option keeps the door open when a pedestrian is in its swing path.
- **Full Energy:** Swing-Guard FE* option and Sentrex-3* option (complete door system only) keeps the door open when a pedestrian is in its swing path and stays active when the door is in motion.

*No supplemental overhead sensor required.



ACTIVATION

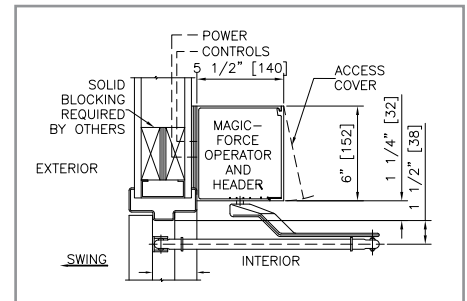
- **Full Energy:** SU-100 option provides a wide and deep activation zone to assure door remains fully open while someone is entering or exiting.



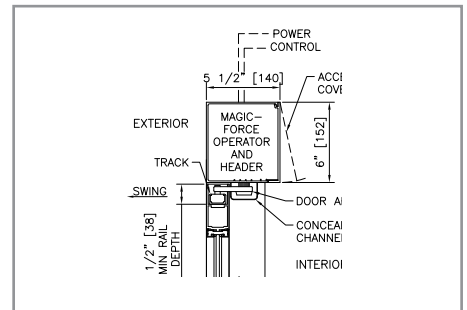
- **Low Energy Options:**



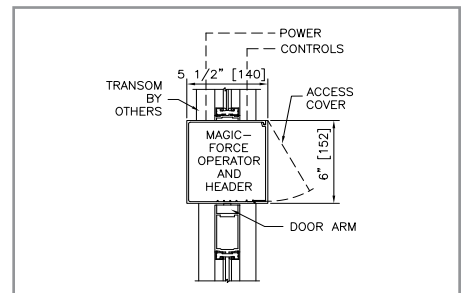
SECTION VIEWS



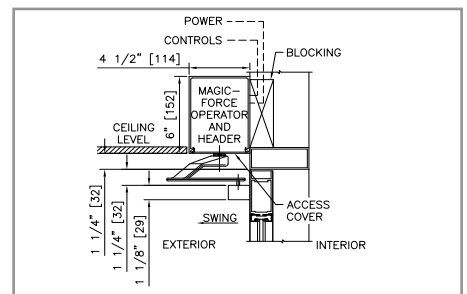
SURFACE MOUNT



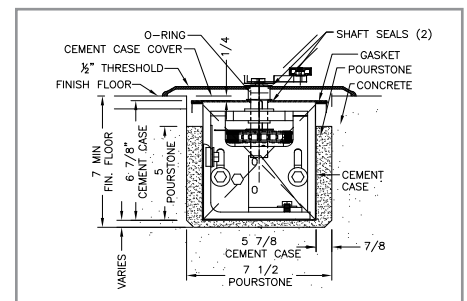
SEMI-CONCEALED



CONCEALED



BOTTOM LOAD



IN GROUND

SPECIFICATIONS

Header Size	6.0" (152mm) high x 5.5" (140mm) deep
Swing Door Panels	Up to 48" (1220mm)
Door Panel Weight	350+ lbs* (160kg) or up to 75 ft/lb torque
Drive System	3/16HP DC motor, gear drive
Controller	Microprocessor-based with built-in "reverse-on-obstruction"
Safety Sensor Options	Low Energy: Swing-Guard LE, Full Energy: Swing Guard FE, other ANSI certified systems
Activation Options	Low Energy: Push plates, wireless radio controls, card keypad, touch-less wave sensor, rail. Low Energy Assisted Open: Magic-Touch™. Full Energy STANLEY SU-100 Motion sensors or mats.
Breakout	Automatic reset (center hung)
Power Required	120 VAC, minimum 5 amps, 50/60 HZ
Code Compliance	UL/cUL 325, UL 10C, ANSI/BHMA A156.10/156.19, IBC, NFPA 101, ANSI 117.1

*Consult your local representative